

## WeatherStation® Mount for Stationary and Moving Platforms

### VM-10

This versatile mount enables many mounting applications for WeatherStation Instruments. The collapsible design makes it handy to store in down position when vehicle is in a garage, barn or traveling at high speeds.

- Aluminum construction provides a strong but light weight mount for all installations
- Two-positions for storage – easily deployed by hand from down to up position
- 1-14 threads used on mount
- Extensions are available in 15" (38.1 cm) and 30" (76.2 cm)
- Mounting kits available for rooftop, pole mount, side mount

### SPECIFICATIONS

**Size (UP position):** 2.31" x 5.5" x 8.96" (5.86 cm x 13.97 cm x 22.76 cm)

**Size (DOWN position):** 2.31" x 9.76" x 2.5" (5.86 cm x 24.79 cm x 6.35 cm)

**Material:** Aluminum

**Color:** Light Gray

**Weight:** 1lb

**Thread Size:** 1-14

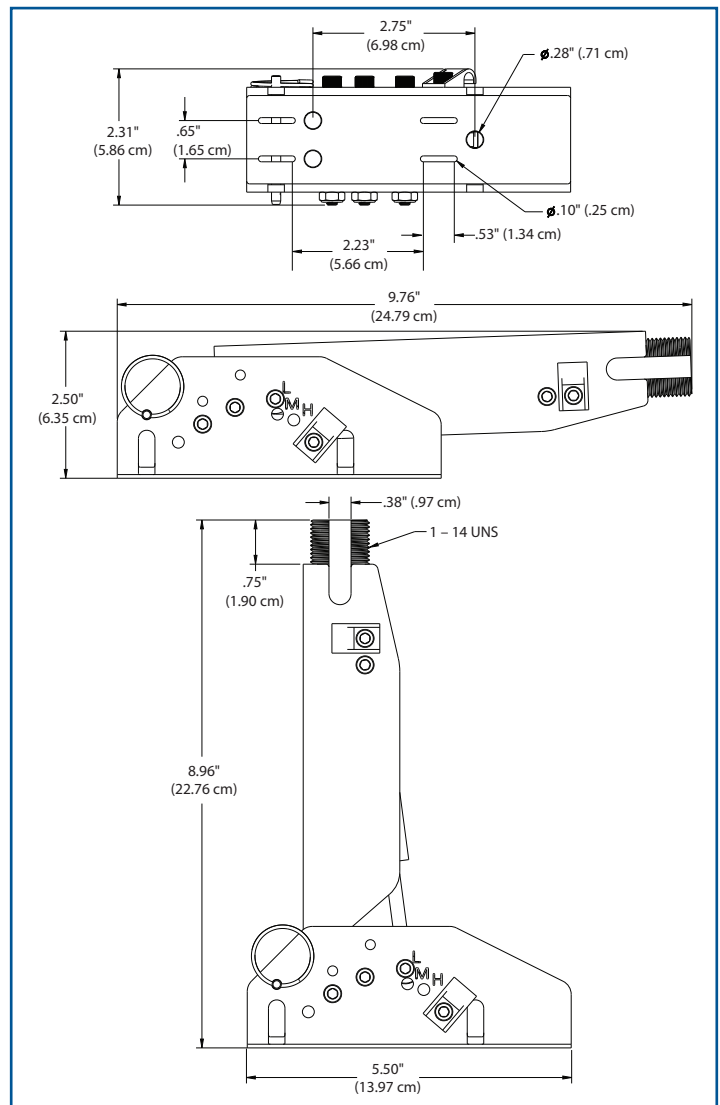
**Thread Length:** 0.75" (1.90 cm)

**Cable Slot Width:** 0.38" (.97 cm)

**3 Different Force Settings:** Low, Medium, and High

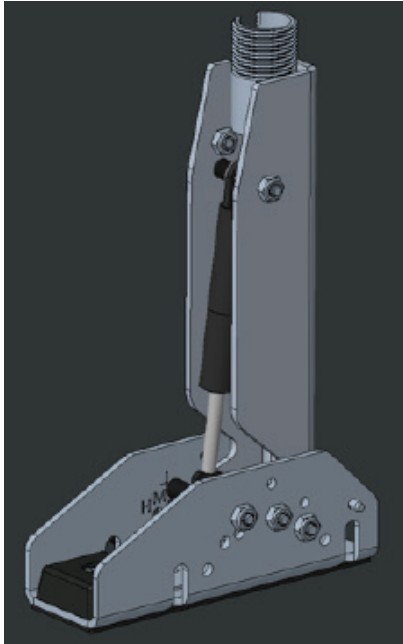
- Low: Designed for no extension mast
- Medium: Designed for Airmar's 15" (38.1 cm) Extension Mast
- High: Designed for Airmar's 30" (76.2 cm) Extension Mast

### DIMENSIONS



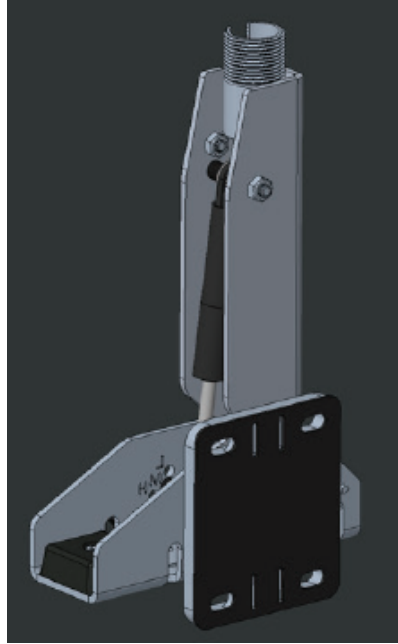
# 4 Different Configurations

## Horizontal Surface



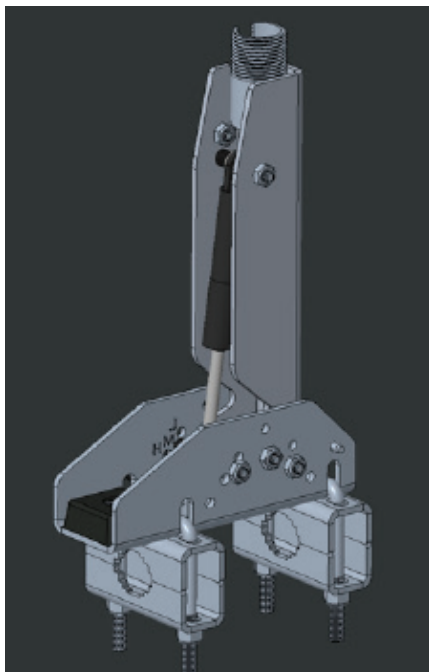
Base Model

## Vertical Surface



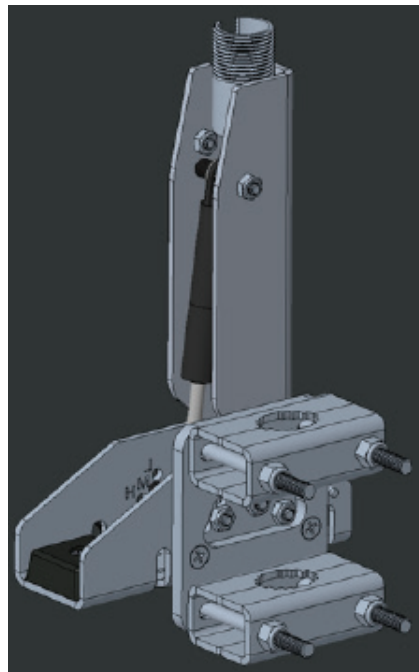
Base Model  
+ Vertical Attachment Package

## Horizontal Pole

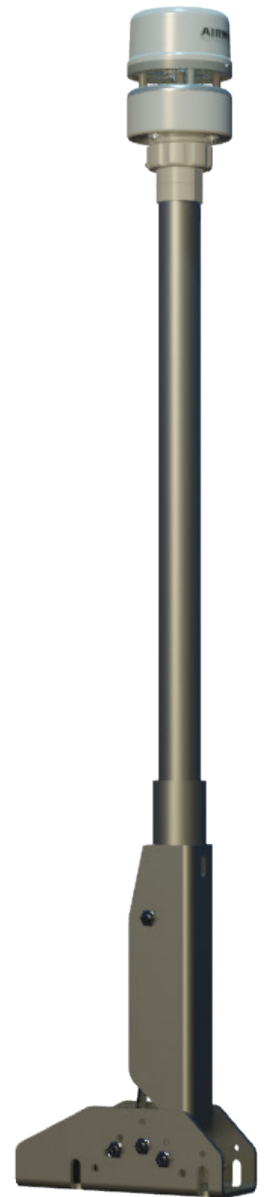


Base Model  
+ Clamp Jaw Package

## Vertical Pole



Base Model  
+ Vertical Attachment Package  
+ Clamp Jaw Package



Shown with Optional  
Extension Mast



[WEATHERSTATIONWX.COM](http://WEATHERSTATIONWX.COM)

©2023 AIRMAR Technology Corporation VM-10\_Versamount\_rB 02/22/24  
As AIRMAR constantly improves its products, all specifications are subject to change without notice.  
WeatherStation® is a registered trademark of AIRMAR Technology Corporation. AMPHENOL is a registered trademark of Amphenol Corporation. Other company or product names mentioned in this document may be trademarks or registered trademarks of their respective companies, which are not affiliated with AIRMAR.

