

Airmar ultrasonic transducers deliver the highest level of performance in the most challenging environments and they are the key component for our customers success and their applications. Our precision tuned air-ranging transducers are tried and true performers, even when used for difficult tasks. American-made from the highest quality materials, Airmar's ultrasonic transducers provide reliable, long-lasting excellence to any measurement system.

AT75

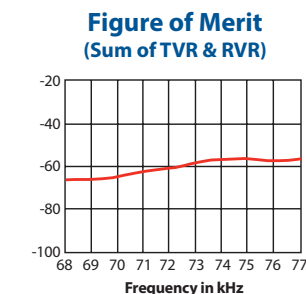
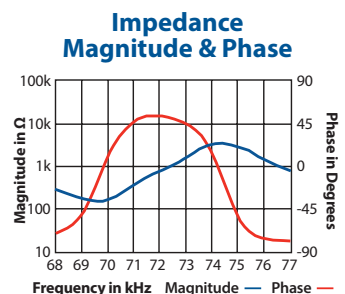
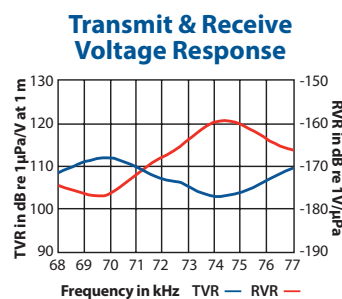
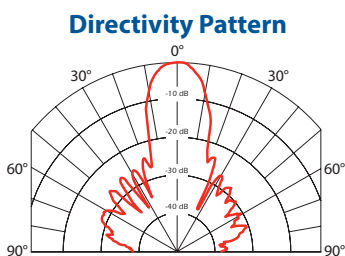


SPECIFICATIONS

Best Operating Frequency: 75 kHz, $\pm 4\%$
Minimum Transmit Sensitivity at Best Transmit Frequency:
 111 dB re 1 μ Pa/V at 1 m
Minimum Receive Sensitivity at Best Receive Freq.: -162 dB re 1V/ μ Pa
Minimum Parallel Resistance: 170 Ω , $\pm 30\%$
Minimum and Maximum Sensing Range*: 20 cm to 10 m
Typical Sensing Range: 25 cm to 7 m
Free (1 kHz) Capacitance: 1,850 pF, $\pm 20\%$ pF
Beamwidth (@ -3 dB Full Angle): 15°, $\pm 2^\circ$
Maximum Driving Voltage (2% Duty Cycle Tone Burst): 1,000 V_{pp}
Operating Temperature: -40°C to 90°C
Weight: 45 g
Housing Material: Glass filled polyester
Acoustic Window: Glass reinforced epoxy

*Pulse-Echo Mode: Minimum and maximum ranges are best case scenarios. Actual range may vary, depending on drive circuitry and signal processing.

Note: Optimally, performance measurements should be taken when the transducer reaches a steady state.



75 kHz AIRDUCER[®] Ultrasonic Transducer

Applications

- Level measurement
- Open channel flow
- Proximity
- Obstacle avoidance
- Robotics

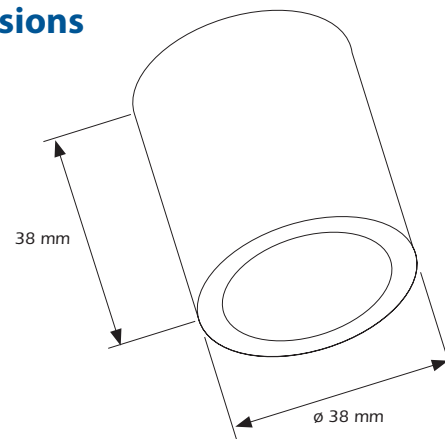
Features

- Rugged sealed construction
- Cylindrical design allows for installation in various applications

Options

- Complete assembly or kit versions
- Available in PVDF housing for use in chemically aggressive environments (ATK75)
- 10 K Ω thermistor available for temperature compensation

Dimensions



Additional Resources

Theory of Operations



Applying Ultrasonic Technology



T1 Developer Board



Airmar's T1 Developer's Transceiver Module can be used for evaluation of AIRDUCER[®] Transducers.