

Airmar ultrasonic transducers deliver the highest level of performance in the most challenging environments and they are the key component for our customers success and their applications. Our precision tuned air-ranging transducers are tried and true performers, even when used for difficult tasks. American-made from the highest quality materials, Airmar's ultrasonic transducers provide reliable, long-lasting excellence to any measurement system.

AT200



SPECIFICATIONS

Best Operating Frequency: 200 kHz, $\pm 4\%$
Minimum Transmit Sensitivity at Best Transmit Frequency:
 105 dB re 1 $\mu\text{Pa}/\text{V}$ at 1 m
Minimum Receive Sensitivity at Best Receive Freq.: -174 dB re 1V/ μPa
Minimum Parallel Resistance: 180 Ω , $\pm 30\%$
Minimum and Maximum Sensing Range*: 10 cm to 3 m
Typical Sensing Range: 12 cm to 2 m
Free (1 kHz) Capacitance: 500 pF, $\pm 20\%$ pF
Beamwidth (@ -3 dB Full Angle): 12°, $\pm 2^\circ$
Maximum Driving Voltage (2% Duty Cycle Tone Burst): 500 V_{pp}
Operating Temperature: -40°C to 90°C
Weight: 6 g
Housing Material: Glass filled polyester
Acoustic Window: Glass reinforced epoxy

*Pulse-Echo Mode: Minimum and maximum ranges are best case scenarios. Actual range may vary, depending on drive circuitry and signal processing.

Note: Optimally, performance measurements should be taken when the transducer reaches a steady state.

200 kHz

AIRDUCER[®] Ultrasonic Transducer

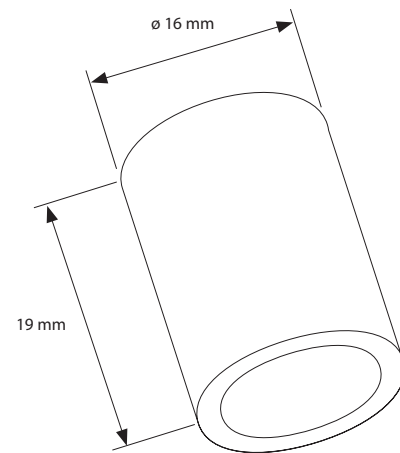
Applications

- Level measurement
- Automation control
- Proximity
- Obstacle avoidance
- Robotics

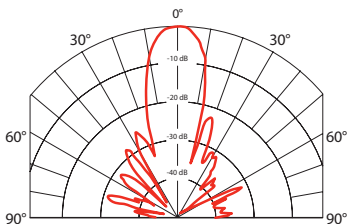
Features

- Rugged sealed construction
- Cylindrical design allows for installation in various applications
- Available in PVDF housing for use in chemically aggressive environments (ATK200)

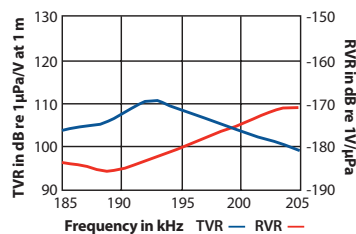
Dimensions



Directivity Pattern



Transmit & Receive Voltage Response



Impedance Magnitude & Phase

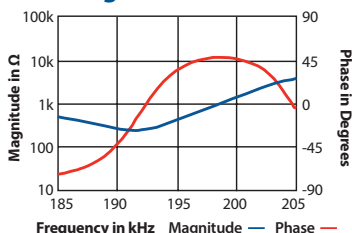
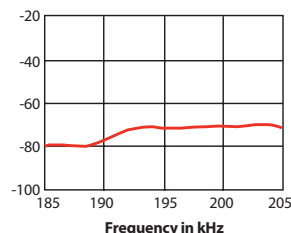


Figure of Merit (Sum of TVR & RVR)



Additional Resources

Theory of Operations



Applying Ultrasonic Technology



T1 Developer Board



Airmar's T1 Developer's Transceiver Module can be used for evaluation of AIRDUCER[®] Transducers.